

结构特点 Design features

- 双端面、多弹簧、非平衡型、传动套传动结构，任意旋向，结构紧凑，安装方便。
- 安装尺寸符合ISO3069、DIN24960和GB6556标准。
- Double faces, with multiple spring, unbalanced structure and driven by brace ear and claw transmission, any rotation direction, it can be mounted conveniently.
- Conform to the standard of ISO3069, DIN24960 and GB6556

材料 Materials(to DIN24960)

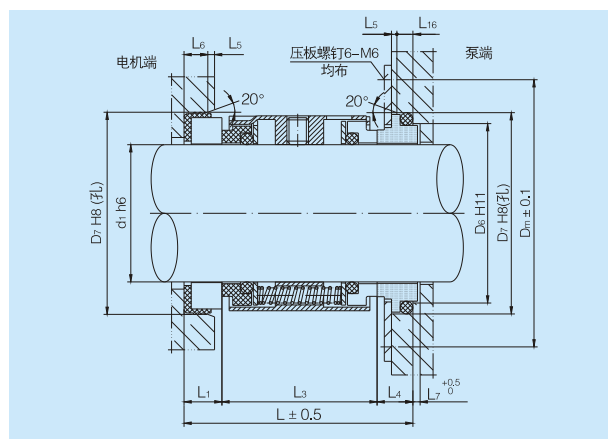
- 旋转环 Rotary Ring: B、U1、U12、Q2、Q22
- 静止环 Stationary Ring: U1、Q2
- 辅助密封 Auxiliary Seal: P、E、V
- 弹簧及其他结构件材料 Spring and Other Parts: F、G

适用范围 Operating limits

- 压力 Pressure: $\leq 0.6\text{MPa}$
- 温度 Temperature: $-20\sim 150^{\circ}\text{C}$
- 线速度 Speeds: $\leq 10\text{m/sec}$

介质 Medium

气体、泥水、浆料及其它含固体颗粒的液体。
Gas, slurry, pulp and other fluid with more solid particle, etc.



型号 Model	d1	Dm	D6	D7	L	L1	L4	L3	L7	L5	L6	L16
CN 47D-25	25	60	34	40	49.0	7.5	10.0	31.5	2	1.5	5.0	5.0
CN 47D-28	28	61	37	43	52.0	7.5	10.0	34.5	2	1.5	5.0	5.0
CN 47D-30	30	65	39	45	56.0	8.5	10.0	37.5	2	1.5	6.0	4.5
CN 47D-35	35	75	44	50	59.0	8.5	11.0	39.5	2	1.5	6.0	6.0
CN 47D-38	38	80	49	56	60.0	8.5	10.0	41.5	2	1.5	6.0	4.5
CN 47D-40	40	82	51	58	63.0	8.5	11.0	43.5	2	1.5	6.0	6.0
CN 47D-45	45	87	56	63	65.0	11.0	11.5	42.5	2	2.0	7.5	6.0
CN 47D-50	50	93	62	70	68.0	11.0	11.0	46.0	2	2.0	6.0	5.5
CN 47D-55	55	98	67	75	71.0	11.5	11.5	48.0	2	2.0	7.5	6.0
CN 47D-60	60	105	72	80	72.5	11.0	11.5	50.0	2	2.0	6.0	6.0
CN 47D-65	65	112	77	85	79.0	13.0	13.0	53.0	2	2.5	8.5	7.0
CN 47D-70	70	117	83	92	81.0	14.0	13.0	54.0	2	2.5	8.5	7.0
CN 47D-85	85	132	100	110	102.5	15.0	13.0	74.5	2	2.5	9.5	7.0
CN 47D-90	90	137	105	115	103.0	15.0	15.5	72.5	4	3.0	9.0	9.0
CN 47D-100	100	155	115	125	112.0	22.0	21.5	68.5	4	3.0	15.5	15.0